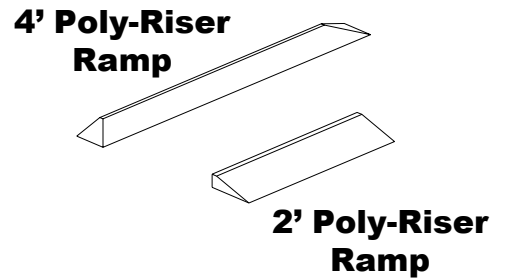
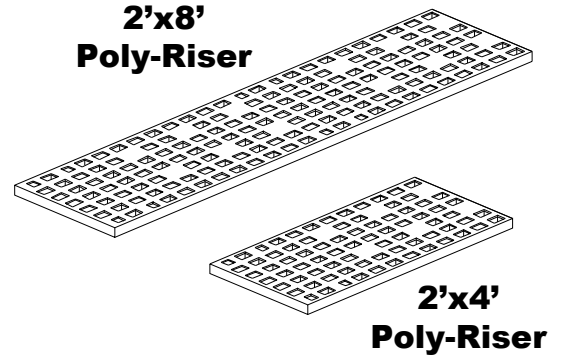
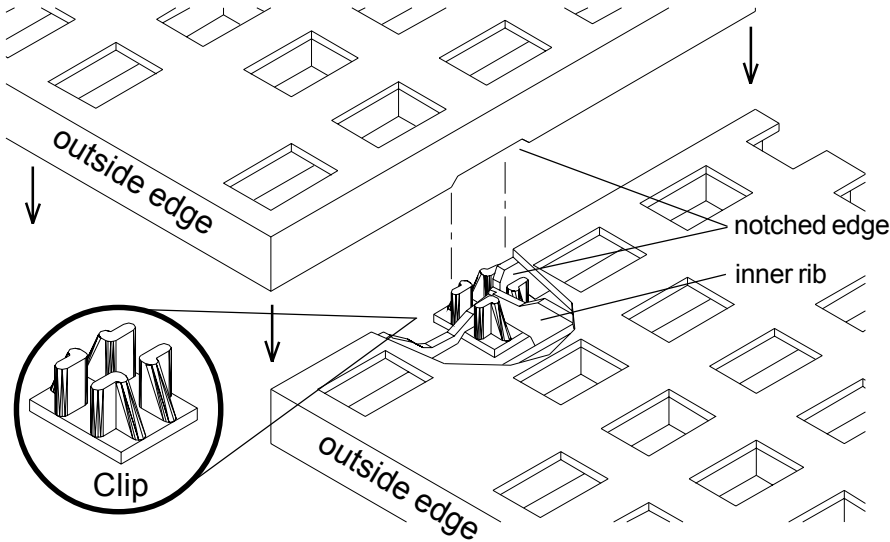
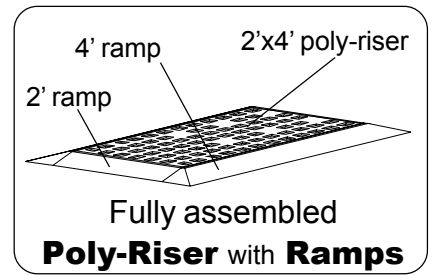


POLY-RISER™

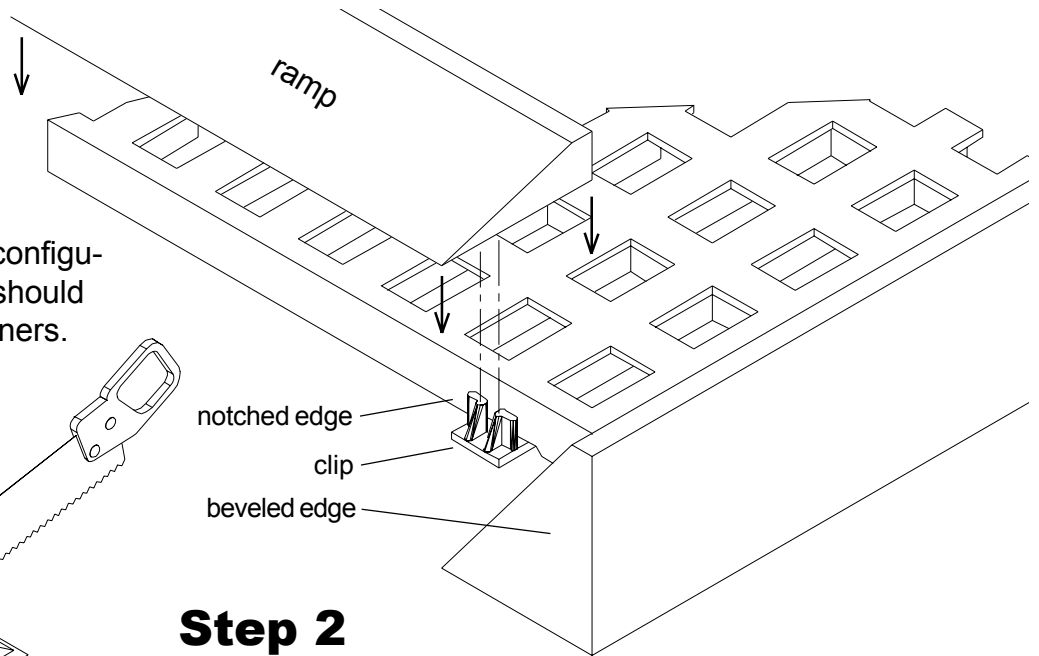
ASSEMBLY INSTRUCTIONS



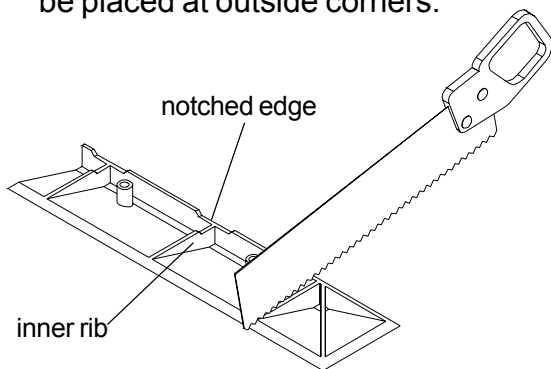
Step 1

(Connecting poly-riser panels with clips)

Lay panels in position with outside edges aligned. Place clips under notched panel edges and inner ribs as shown. Use (4) clips to join 8' edges and (2) clips to join 2' and 4' edges.



Cut ramps to fit custom configurations. Beveled edges should be placed at outside corners.



Inverted View of Ramp

Step 2

(Connecting ramp to poly-riser panels with clips)

Connect ramps to Poly-Riser using clips. Clips are placed under inner rib and notched edge on ramp and panel as shown.