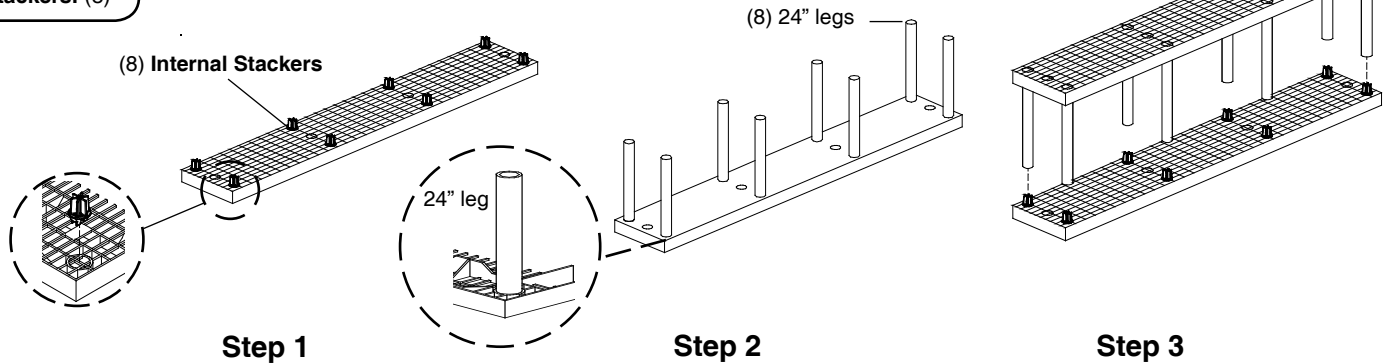


### S9616B

**COMPONENTS:**  
2-Shelf System



**Panels:** (2) 16"x96"  
**Legs:** (8) 24"  
**Internal Stackers:** (8)



Step 1

Step 2

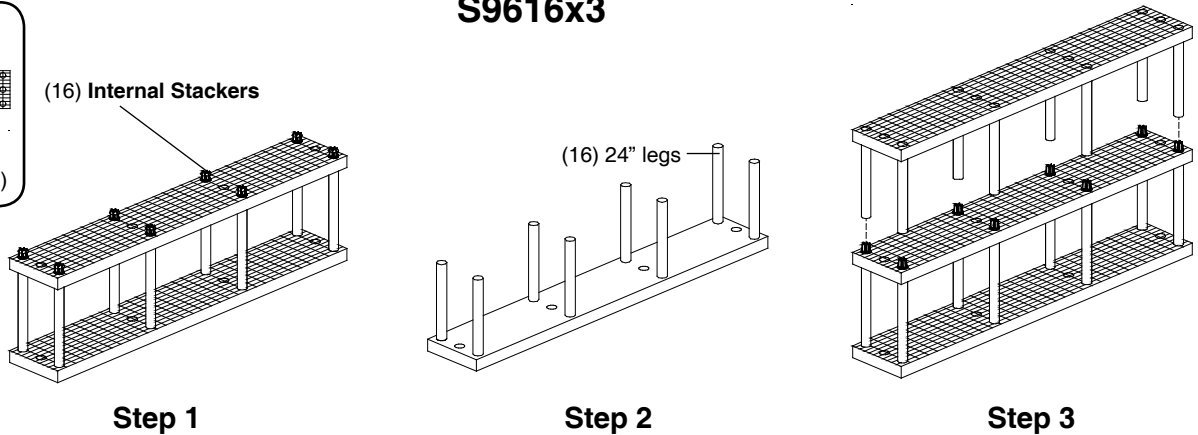
Step 3

### S9616x3

**COMPONENTS:**  
3-Shelf System



**Panels:** (3) 16"x96"  
**Legs:** (16) 24"  
**Internal Stackers:** (16)



Step 1

Step 2

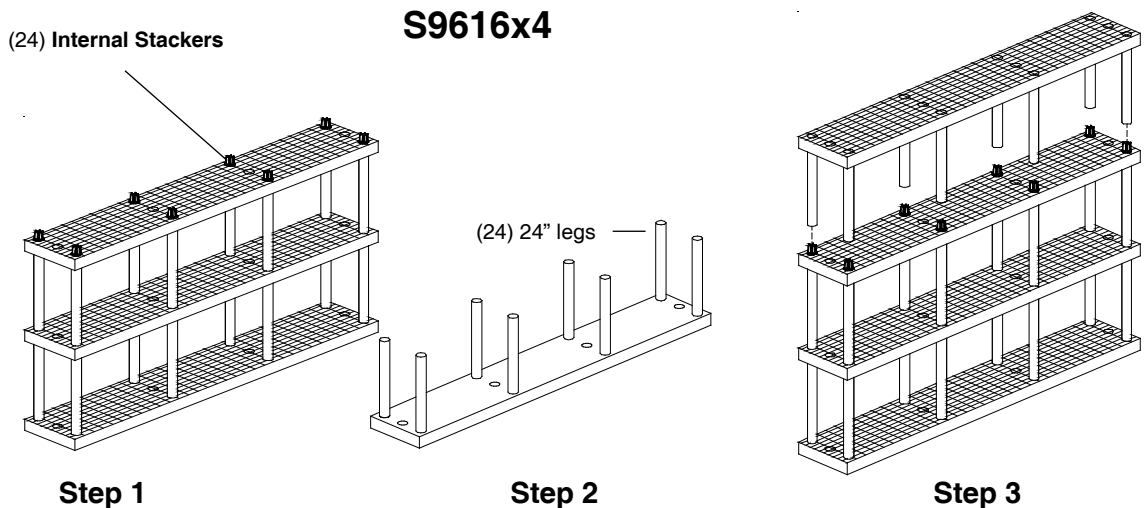
Step 3

### S9616x4

**COMPONENTS:**  
4-Shelf System



**Panels:** (4) 16"x96"  
**Legs:** (24) 24"  
**Internal Stackers:** (24)



Step 1

Step 2

Step 3

#### Step 1

Lay one of the shelf panels on the floor and insert **Leg Stackers** over outside sockets as shown.

#### Step 2

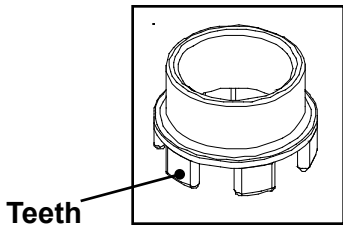
Invert the next level panel and insert **24" posts** into the sockets as shown.

#### Step 3

Return panel with the **24" posts** to upright position. Align posts over **Leg Stackers** and push all the way down until leg stackers are inserted into posts. Repeat steps 1 through 3 for multi-shelf configurations.

# ASSEMBLY INSTRUCTIONS

## 2- Options to Secure Legs to Panels

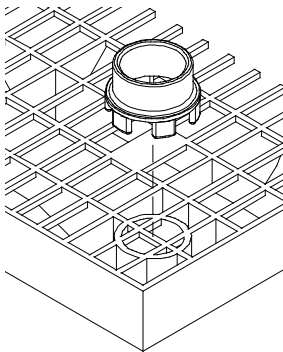


### Leg Collar

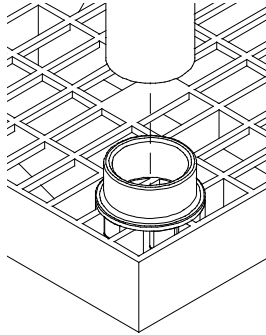
### How to use the Leg Collar

First, place the collar over socket aligning teeth of collar to fit through grids.

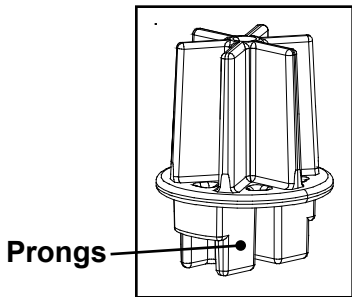
Second, Leg is inserted into the leg collar.



### Collar Placement



### Leg Placement on Collar

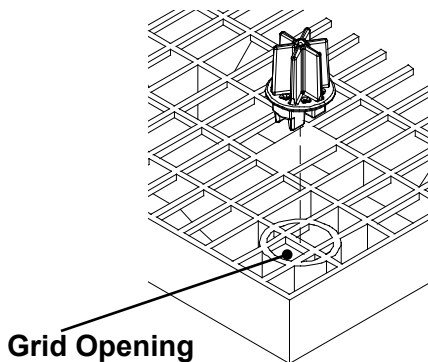


### Internal Leg Stacker

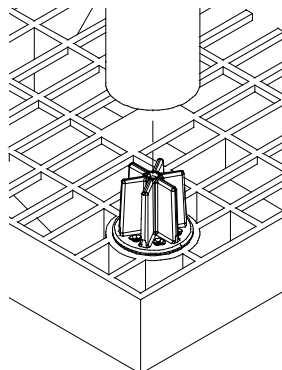
### How to use the Internal Leg Stacker

First, Place the stacker over socket aligning the prongs with the D-shaped holes, and push down.

Second, leg is inserted over the leg stacker.



### Internal Leg Stacker Placement



### Leg Placement on Internal Leg Stacker