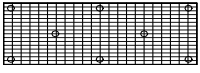


### S6624B and ST6624B

Available in Grid or Solid Top

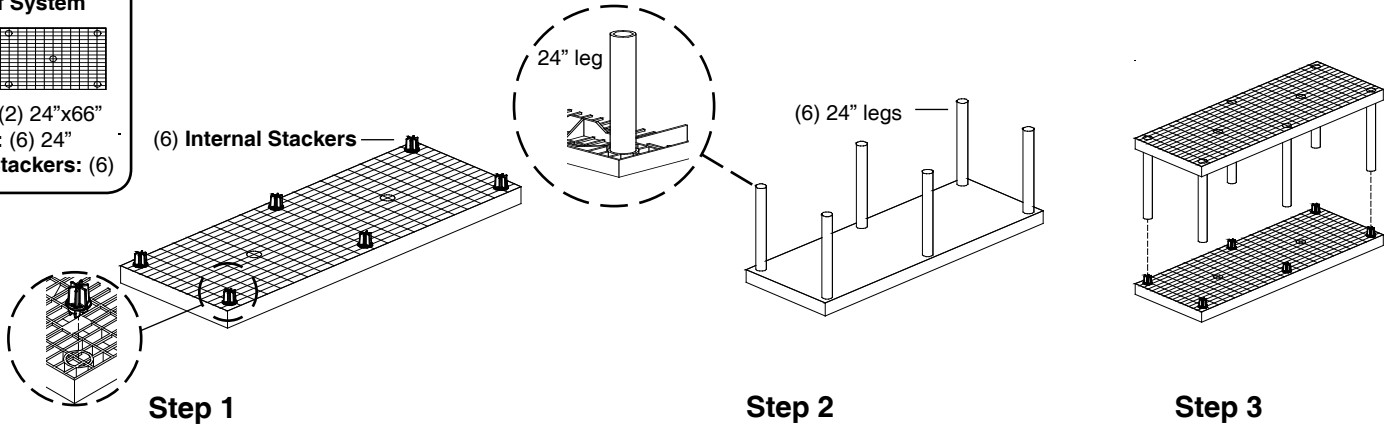
#### COMPONENTS: 2-Shelf System



Panels: (2) 24"x66"

Legs: (6) 24"

Internal Stackers: (6)

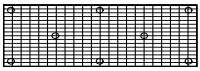


Step 1

Step 2

Step 3

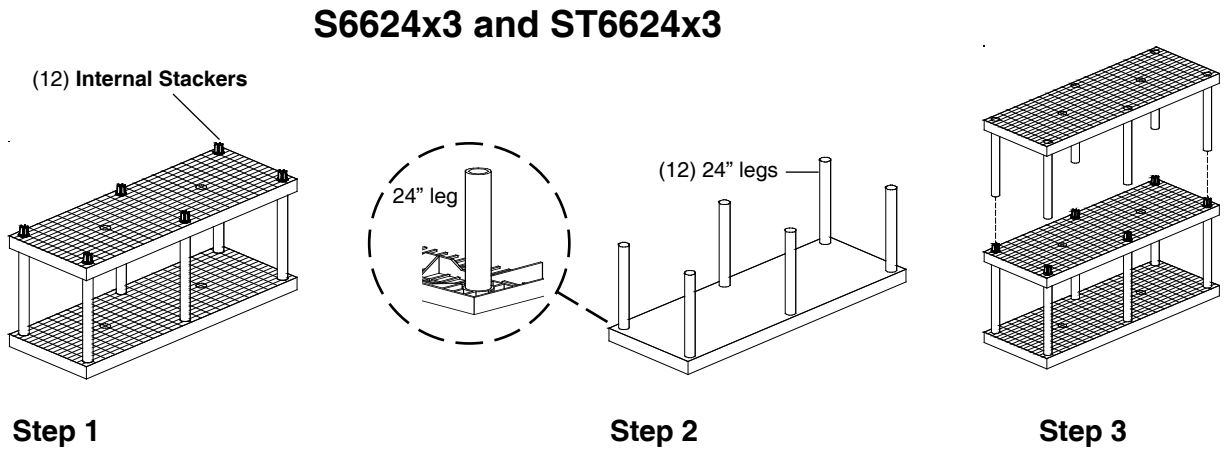
#### COMPONENTS: 3-Shelf System



Panels: (3) 24"x66"

Legs: (12) 24"

Internal Stackers: (12)

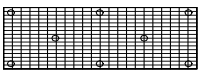


Step 1

Step 2

Step 3

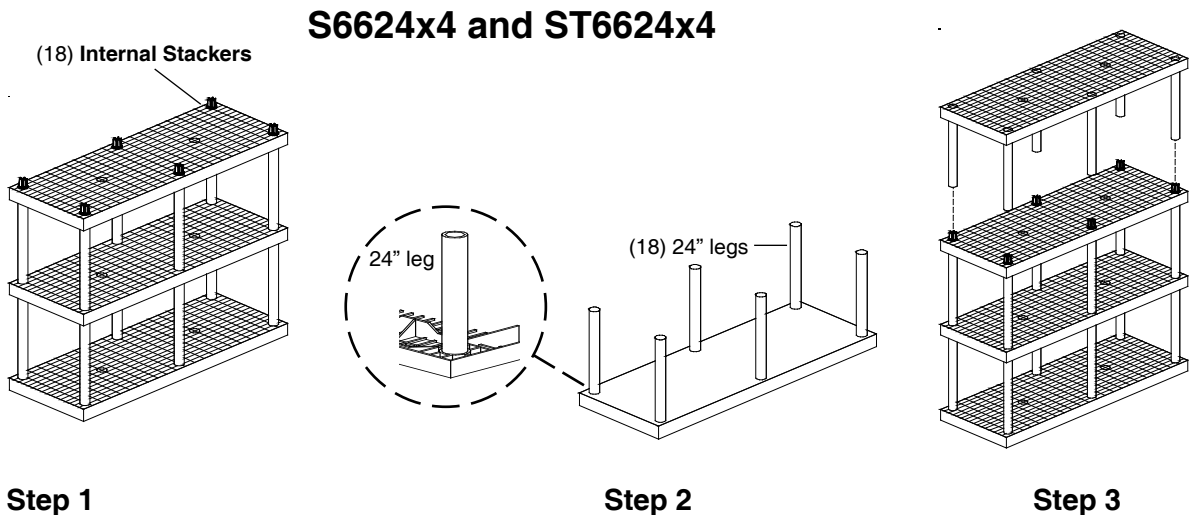
#### COMPONENTS: 4-Shelf System



Panels: (4) 24"x66"

Legs: (18) 24"

Internal Stackers: (18)



Step 1

Step 2

Step 3

#### Step 1

Lay one of the shelf panels on the floor and insert **Leg Stackers** over outside sockets as shown.

#### Step 2

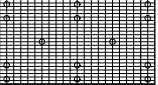
Invert the next level panel and insert **24" posts** into the sockets as shown.

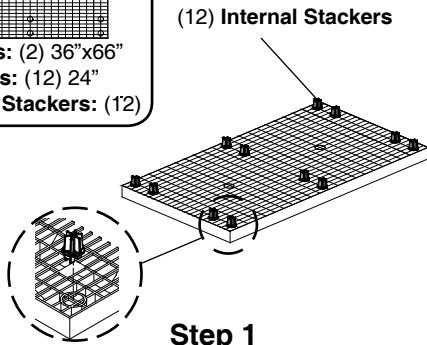
#### Step 3

Return panel with the **24" posts** to upright position. Align posts over **Leg Stackers** and push all the way down until leg stackers are inserted into posts. Repeat steps 1 through 3 for multi-shelf configurations.

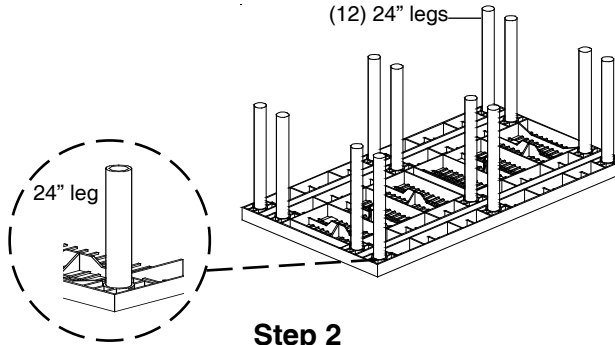
### S6636B and ST6636B

Available in Grid or Solid Top

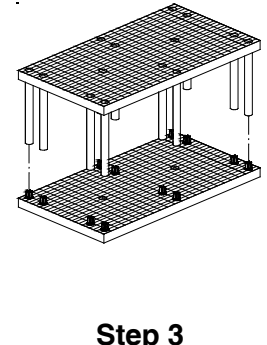
**COMPONENTS:**  
**2-Shelf System**  
  
**Panels:** (2) 36"x66"  
**Legs:** (12) 24"  
**Internal Stackers:** (12)



Step 1

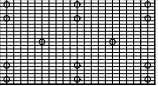


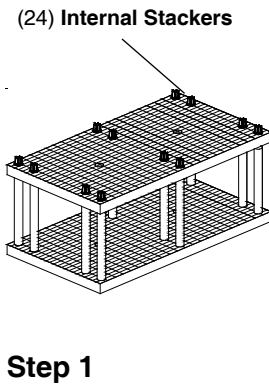
Step 2



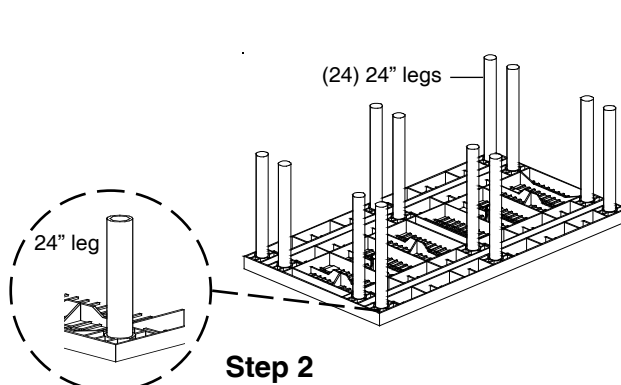
Step 3

### S6636Bx3 and ST6636Bx3

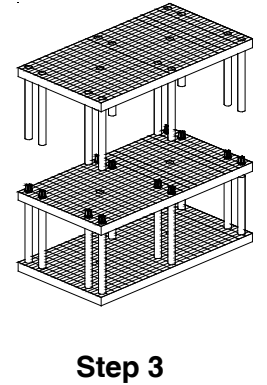
**COMPONENTS:**  
**3-Shelf System**  
  
**Panels:** (3) 36"x66"  
**Legs:** (24) 24"  
**Internal Stackers:** (24)



Step 1

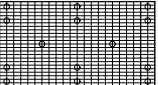


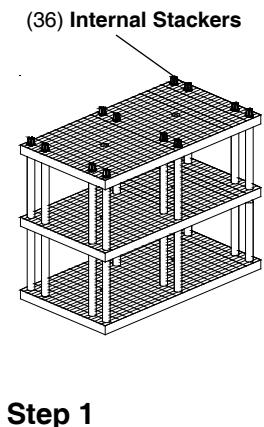
Step 2



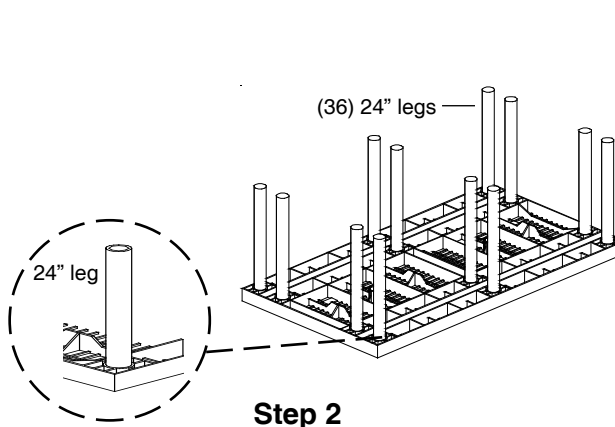
Step 3

### S6636Bx4 and ST6636Bx4

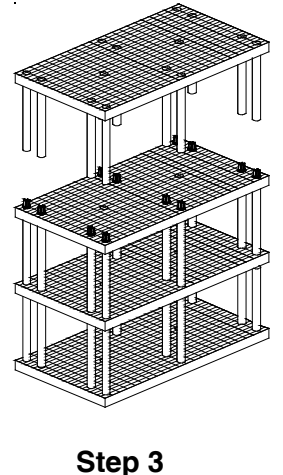
**COMPONENTS:**  
**4-Shelf System**  
  
**Panels:** (4) 36"x66"  
**Legs:** (36) 24"  
**Internal Stackers:** (36)



Step 1



Step 2



Step 3

#### Step 1

Lay one of the shelf panels on the floor and insert **Leg Stackers** over outside sockets as shown.

#### Step 2

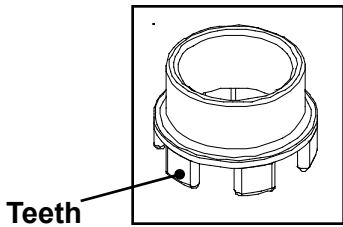
Invert the next level panel and insert **24" posts** into the sockets as shown.

#### Step 3

Return panel with the **24" posts** to upright position. Align posts over **Leg Stackers** and push all the way down until leg stackers are inserted into posts. Repeat steps 1 through 3 for multi-shelf configurations.

# ASSEMBLY INSTRUCTIONS

## 2- Options to Secure Legs to Panels

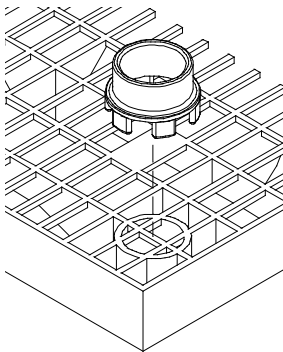


### Leg Collar

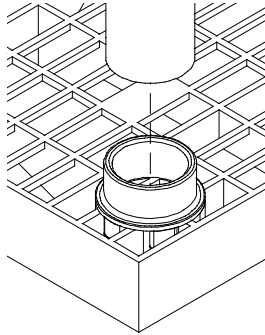
### How to use the Leg Collar

First, place the collar over socket aligning teeth of collar to fit through grids.

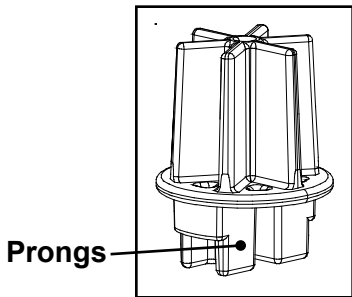
Second, Leg is inserted into the leg collar.



### Collar Placement



### Leg Placement on Collar

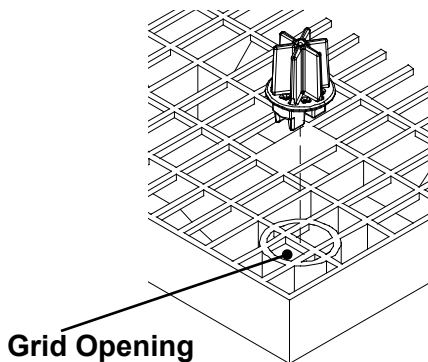


### Internal Leg Stacker

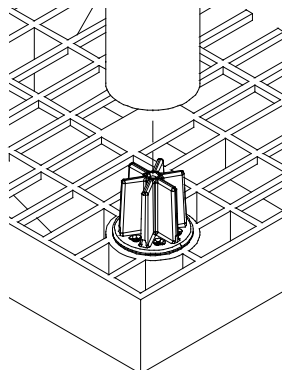
### How to use the Internal Leg Stacker

First, Place the stacker over socket aligning the prongs with the D-shaped holes, and push down.

Second, leg is inserted over the leg stacker.



### Internal Leg Stacker Placement



### Leg Placement on Internal Leg Stacker