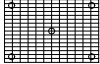


# MODULAR-KART™ ASSEMBLY INSTRUCTIONS

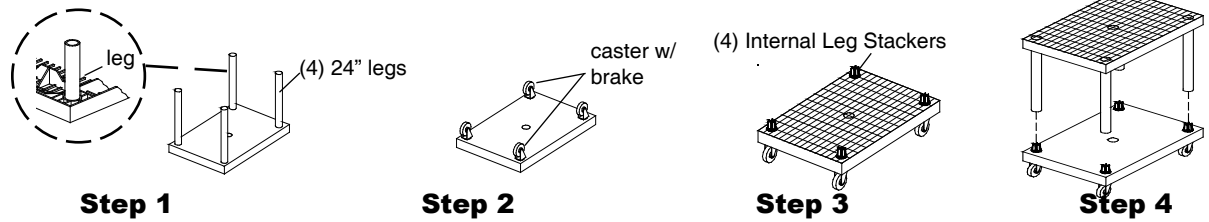
## K3624B and KT3624B

Available in Grid or Solid Top

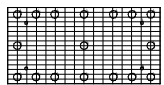
**COMPONENTS:**



Panels: (2) 2'x3'  
Legs: (4) 24"  
Internal Stackers: (4)  
Casters: (4)

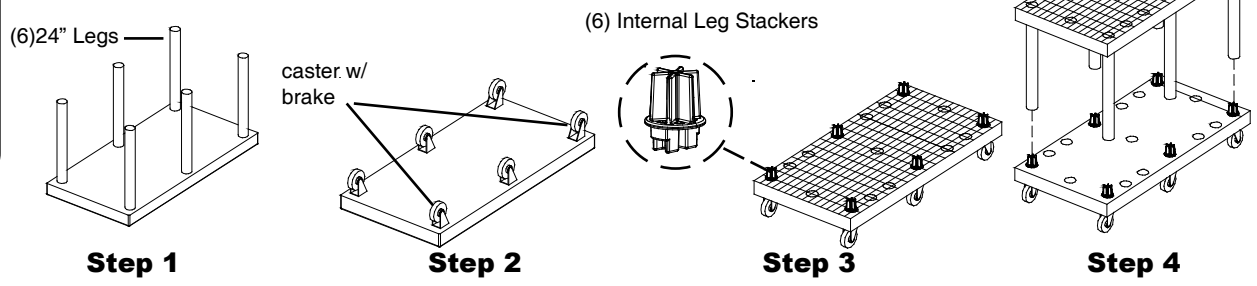


**COMPONENTS:**

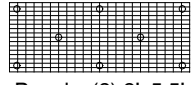


Panels: (2) 2'x4'  
Legs: (6) 24"  
Internal Stackers: (6)  
Casters: (6)

## K4824B and KT4824B

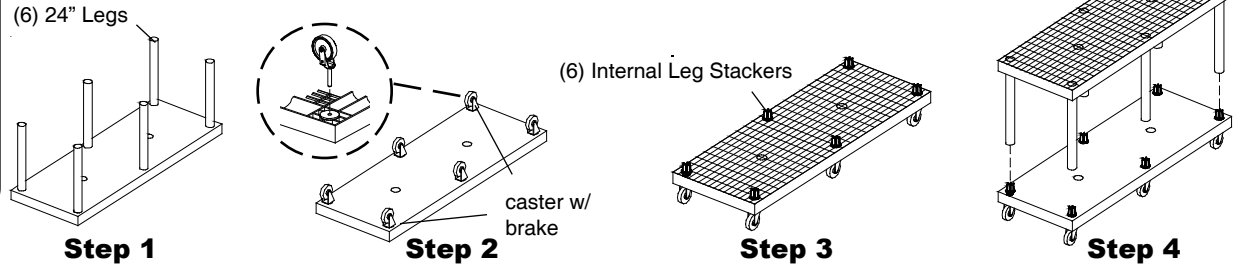


**COMPONENTS:**

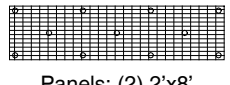


Panels: (2) 2'x5.5'  
Legs: (6) 24"  
Internal Stackers: (6)  
Casters: (6)

## K6624B and KT6624B

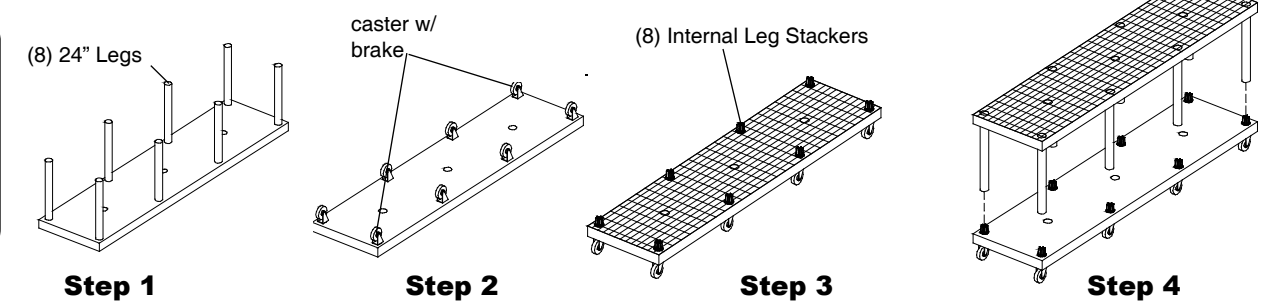


**COMPONENTS:**



Panels: (2) 2'x8'  
Legs: (8) 24"  
Internal Stackers: (8)  
Casters: (8)

## K9624B and KT9624B



**Step 1**  
Lay one of the Kart panels up-side-down on the floor and insert 24" posts into sockets as shown. Return to upright position.

**Step 2**  
Invert the next Kart panel on the floor and insert **Casters** into sockets as shown. Place **Casters with Brakes** in opposite corners. Return to upright position.

**Step 3**  
Insert **Internal Leg Stackers** over outside row sockets of Kart panel with Casters as shown.

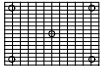
**Step 4**  
Align Kart panel with posts over the leg stackers and push all the way down until the leg stackers are inserted into the posts.



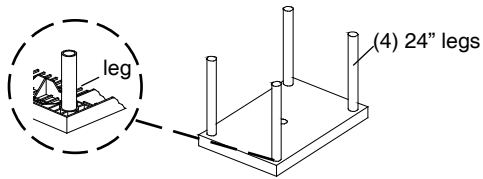
# MODULAR-KART™ ASSEMBLY INSTRUCTIONS

## K3624A

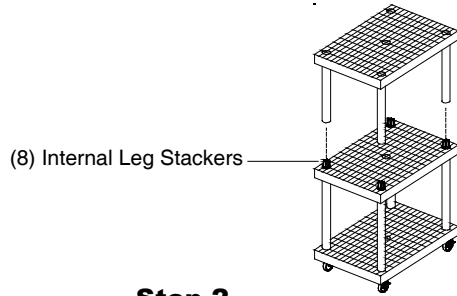
### COMPONENTS:



Panels: (1) 2'x3'  
Legs: (4) 24"  
Internal Stackers: (4)



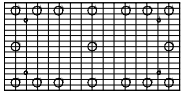
Step 1



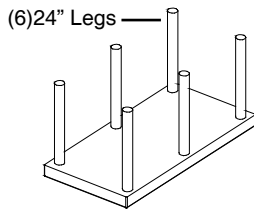
Step 2

## K4824A

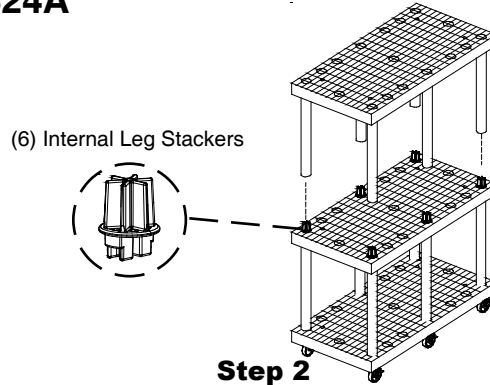
### COMPONENTS:



Panels: (1) 48"x24"  
Legs: (6) 24"  
Internal Stackers: (6)



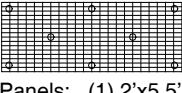
Step 1



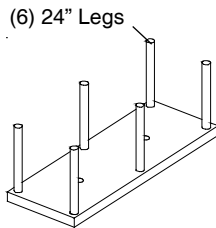
Step 2

## K6624A

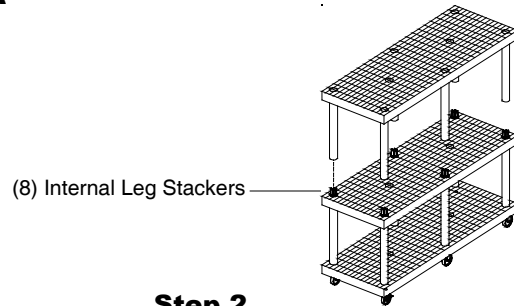
### COMPONENTS:



Panels: (1) 2'x5.5'  
Legs: (6) 24"  
Internal Stackers: (6)



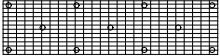
Step 1



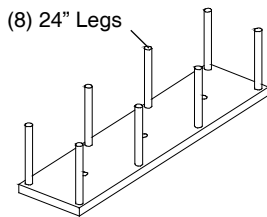
Step 2

## K9624A

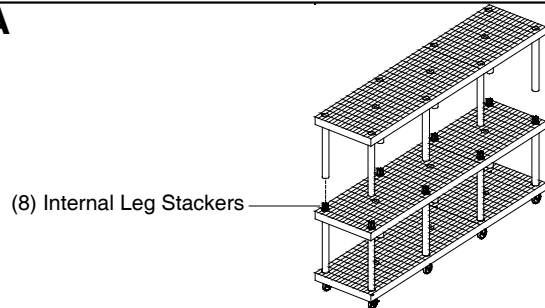
### COMPONENTS:



Panels: (1) 2'x8'  
Legs: (8) 24"  
Internal Stackers: (8)



Step 1



Step 2

### Step 1

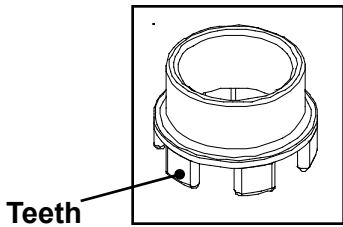
Lay one of the Kart panels up-side-down on the floor and insert 24" posts into sockets as shown. Return to upright position.

### Step 2

Invert the next Kart panel on the floor and insert **Casters** into sockets as shown. Place **Casters with Brakes** in opposite corners. Return to upright position.

# ASSEMBLY INSTRUCTIONS

## 2- Options to Secure Legs to Panels

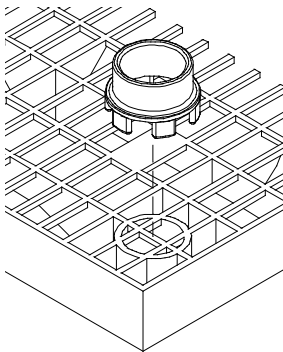


**Leg Collar**

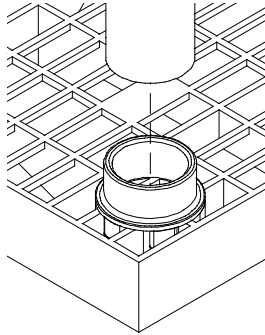
### How to use the Leg Collar

First, place the collar over socket aligning teeth of collar to fit through grids.

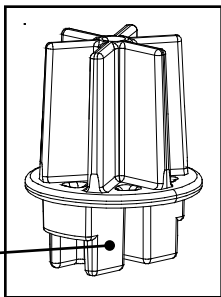
Second, Leg is inserted into the leg collar.



**Collar Placement**



**Leg Placement on  
Collar**

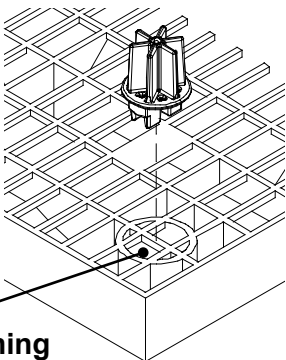


**Internal Leg  
Stacker**

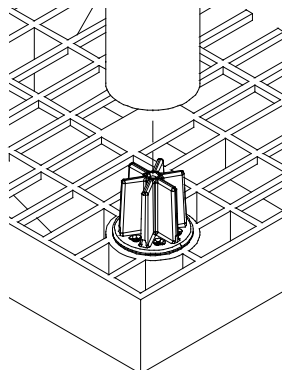
### How to use the Internal Leg Stacker

First, Place the stacker over socket aligning the prongs with the D-shaped holes, and push down.

Second, leg is inserted over the leg stacker.



**Internal Leg Stacker  
Placement**



**Leg Placement on  
Internal Leg Stacker**