

# Adjustable DURASHELF®

## ASSEMBLY INSTRUCTIONS

### COMPONENTS:

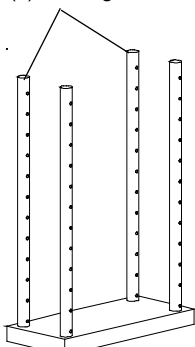


**Panels:** (3) 16"x36"  
(4 drilled sockets)

**Legs:** (4) 48"  
(drilled for pins)

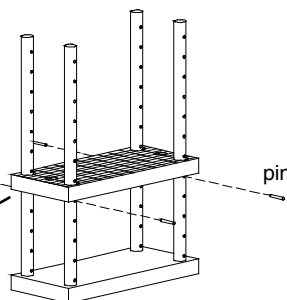
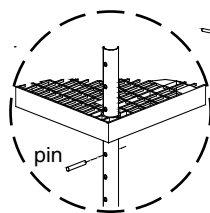
**Pins:** (12)

(4) 48" Legs

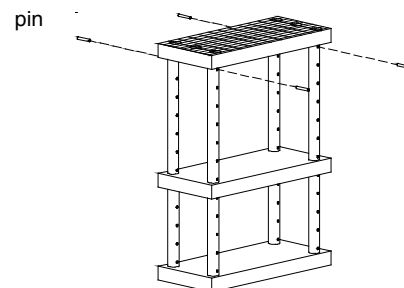


**Step 1**

### AS3616X3



**Step 2**



**Step 3**

### COMPONENTS:

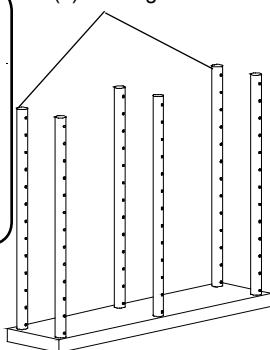


**Panels:** (3) 16"x66"  
(6 drilled sockets)

**Legs:** (6) 48"  
(drilled for pins)

**Pins:** (18)

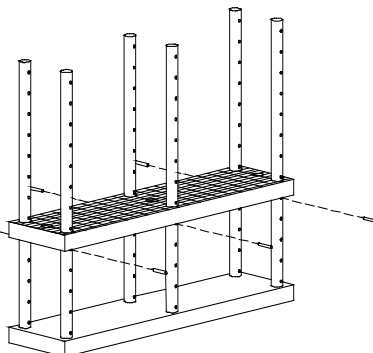
(6) 48" Legs



**Step 1**

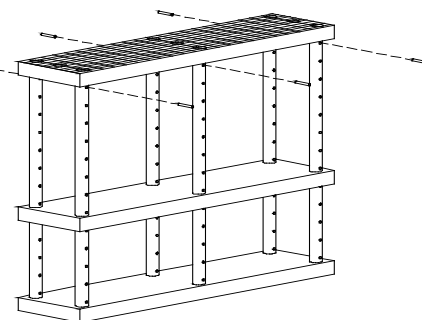
### AS6616X3

pin



**Step 2**

pin



**Step 3**

### COMPONENTS:

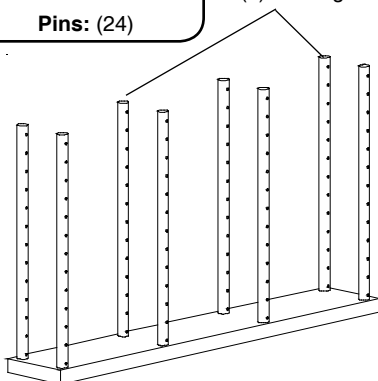


**Panels:** (3) 16"x96"  
(8 drilled sockets)

**Legs:** (8) 48"  
(drilled for pins)

**Pins:** (24)

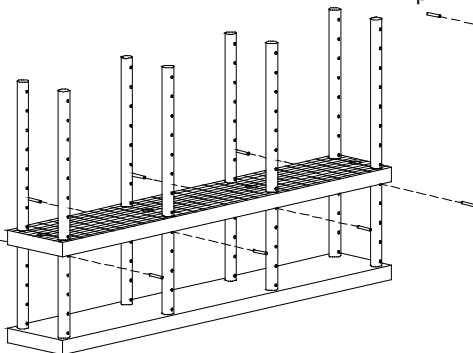
(8) 48" Legs



**Step 1**

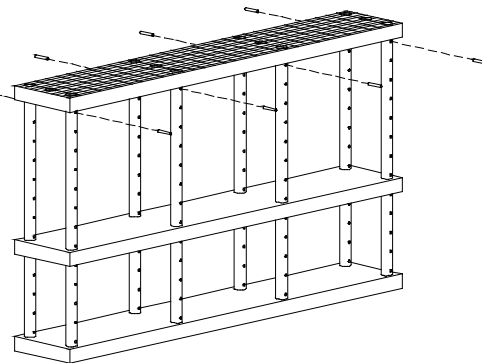
### AS9616X3

pin



**Step 2**

pin



**Step 3**

### Step 1

Lay one of the adjustable shelf panels on the floor and place **48" posts** into the open sockets as shown.

### Step 2

Insert the shelf pins into the posts at desired height and slide second shelf down the **48" posts** until it rests squarely on the pins.

### Step 3

Repeat step 2 until shelf unit is complete.

# Adjustable DURASHELF®

## ASSEMBLY INSTRUCTIONS

### COMPONENTS:



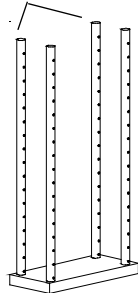
**Panels:** (4) 16"x36"  
(4 drilled sockets)

**Legs:** (4) 72"  
(drilled for pins)

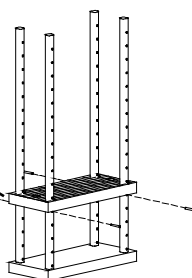
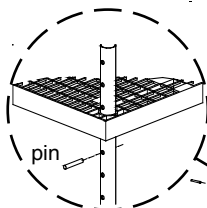
**Pins:** (16)

### AS3616X4

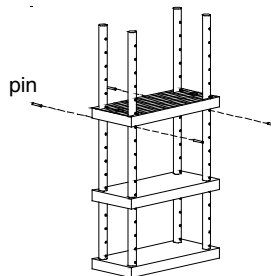
(4) 72" Legs



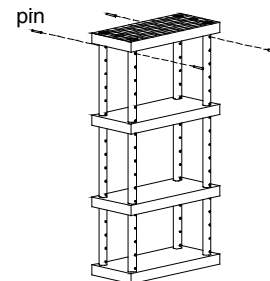
**Step 1**



**Step 2**

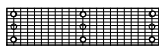


**Step 3**



**Step 4**

### COMPONENTS:



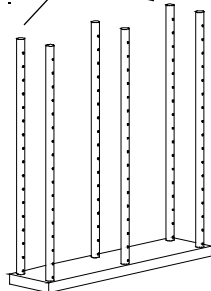
**Panels:** (4) 16"x66"  
(6 drilled sockets)

**Legs:** (6) 72"  
(drilled for pins)

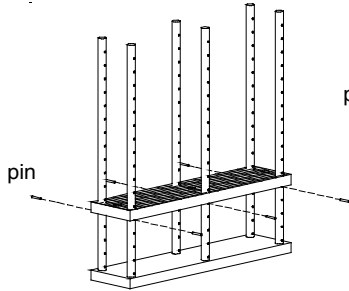
**Pins:** (24)

### AS6616X4

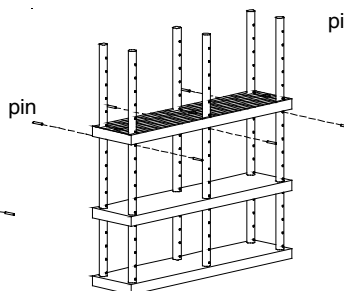
(6) 72" Legs



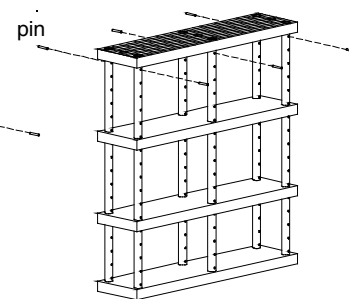
**Step 1**



**Step 2**



**Step 3**



**Step 4**

### COMPONENTS:

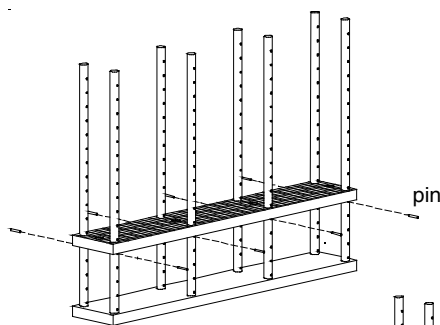


**Panels:** (4) 16"x96"  
(8 drilled sockets)

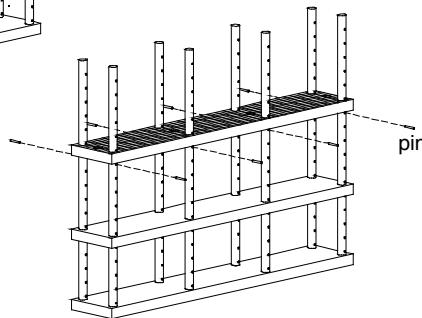
**Legs:** (8) 72"  
(drilled for pins)

**Pins:** (32)

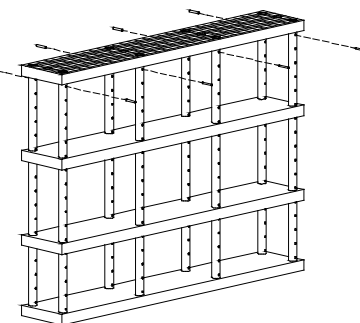
### AS9616X4



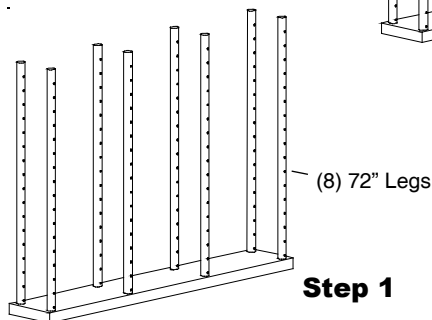
**Step 2**



**Step 3**



**Step 4**



**Step 1**

### Step 1

Lay one of the adjustable shelf panels on the floor and place **72" posts** into the open sockets as shown.

### Step 2

Insert the shelf pins into the posts at desired height and slide second shelf down the **72" posts** until it rests squarely on the pins.

### Step 3

Repeat step 2 until shelf unit is complete.